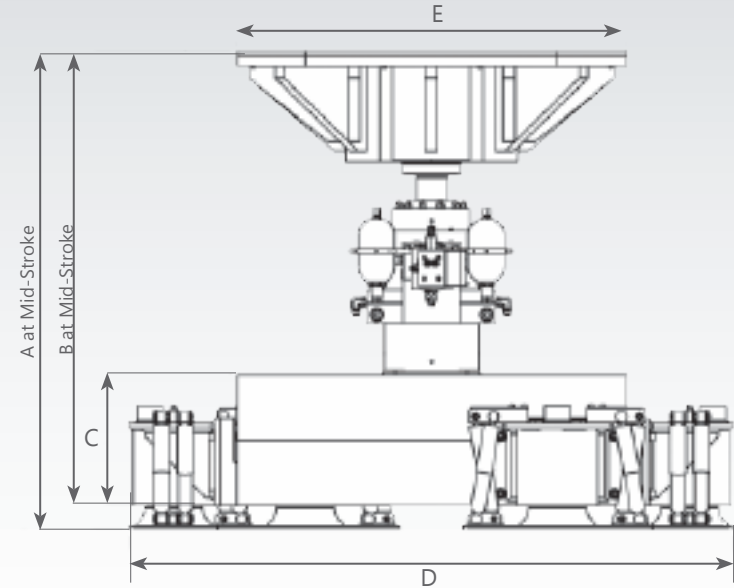
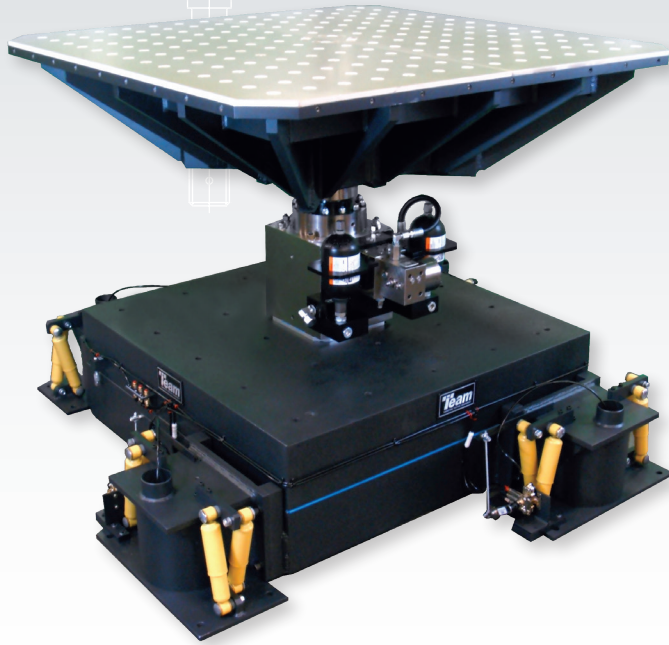




Vertical Systems Specifications



	V24-62/3.0-140-110	V24-64/3.0-350-265	V36-62/4.0-140-110	V36-64/4.0-350-265	V40-62/5.0-140-110	V40-64/5.0-350-265	V48-64/6.0-350-265	V48-64/7.5-350-265	V60-86/10.0-350-265	V60-810/10.0-350-265
A (in.)	48.8	54.8	52.9	58.9	58.9	58.9	58.9	58.9	58.9	58.9
B (in.)	45.8	51.8	49.9	55.9	55.9	55.9	55.9	55.9	55.9	55.9
C (in.)	16.1	16.1	16.1	16.1	16.1	16.1	16.1	16.1	16.1	16.1
D (in.)	74.2	74.2	74.2	74.2	74.2	74.2	74.2	74.2	74.2	74.2
E (in.)	24.0	24.0	36.0	36.0	40.0	40.0	48.0	48.0	60.0	60.0
Shipping Wt. (lbs)	8113.0	9347.6	8333.4	9568.0	13271.8	14682.7	14925.3	14925.3	20502.9	20502.9



-  Team Offices
-  Authorized Sales Agents

sales@teamcorporation.com

Corporate Headquarters
11591 Watertank Road,
Burlington, WA 98233, USA
+1.360.757.8601
teamcorporation.com

Asia Pacific
Rm 2005 Minhang Plaza
18 Xinqinqiao Road, Pudong
201206 Shanghai, China
+86.21.3382.0671
+1.831.655.6677

Engineered vibration testing solutions for improved product quality

