

HPS-6A

All Team hydrostatic bearings require very clean, high pressure oil in order to function properly and reliably. The HPS-6A is a small hydraulic power supply for use with bearings and slip plates. It has the fine mesh hydraulic oil filters and an air cooled heat exchanger to keep the oil in ISO 16/14/11 condition. A single HPS-6A will supply a slip plate or six (6) individual bearings. It is air cooled and requires only electrical power to operate. Having only an adjustable relief valve and the on/off controls, the HPS-6A is easy to operate and can be ordered with remote control to simplify operation further.



Features

- Air Cooled
- Portable (supplied with casters)
- Dual Pump - pressure and suction driven by single motor
- Quiet operation
- Low power consumption

Applications

- Slip Tables
- Hydrostatic bearings
- Hydra Balls
- Spherical Couplings
- Pad Bearings

Specifications

20 Gallon (76 Liter) Reservoir

Oil Strainer Filter

5 H.P. Motor

Pressure Pump - 1.9 gpm (7.19 lpm) @ 3000 psi

Scavenge Pump - 1.9 gpm (7.19 lpm) @ 10 in. Hg.

10 Micron Pressure Filter

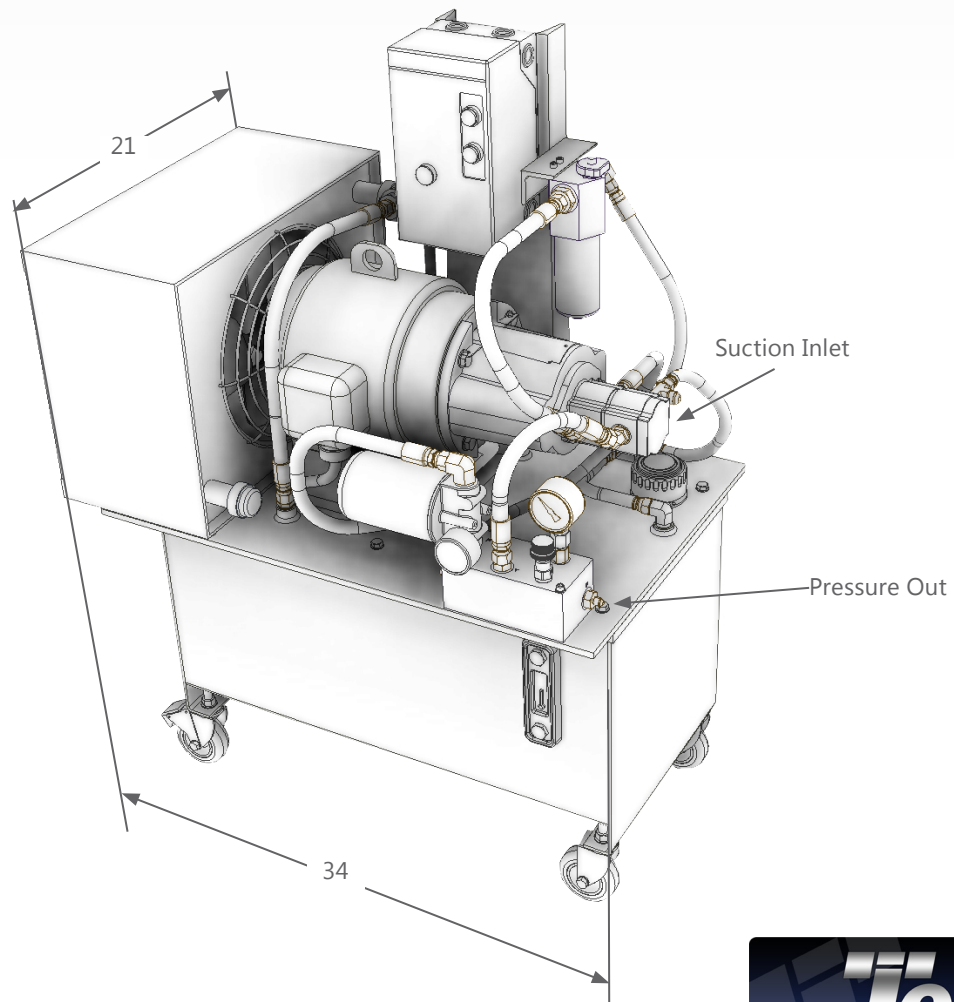
10 Micron Return Filter

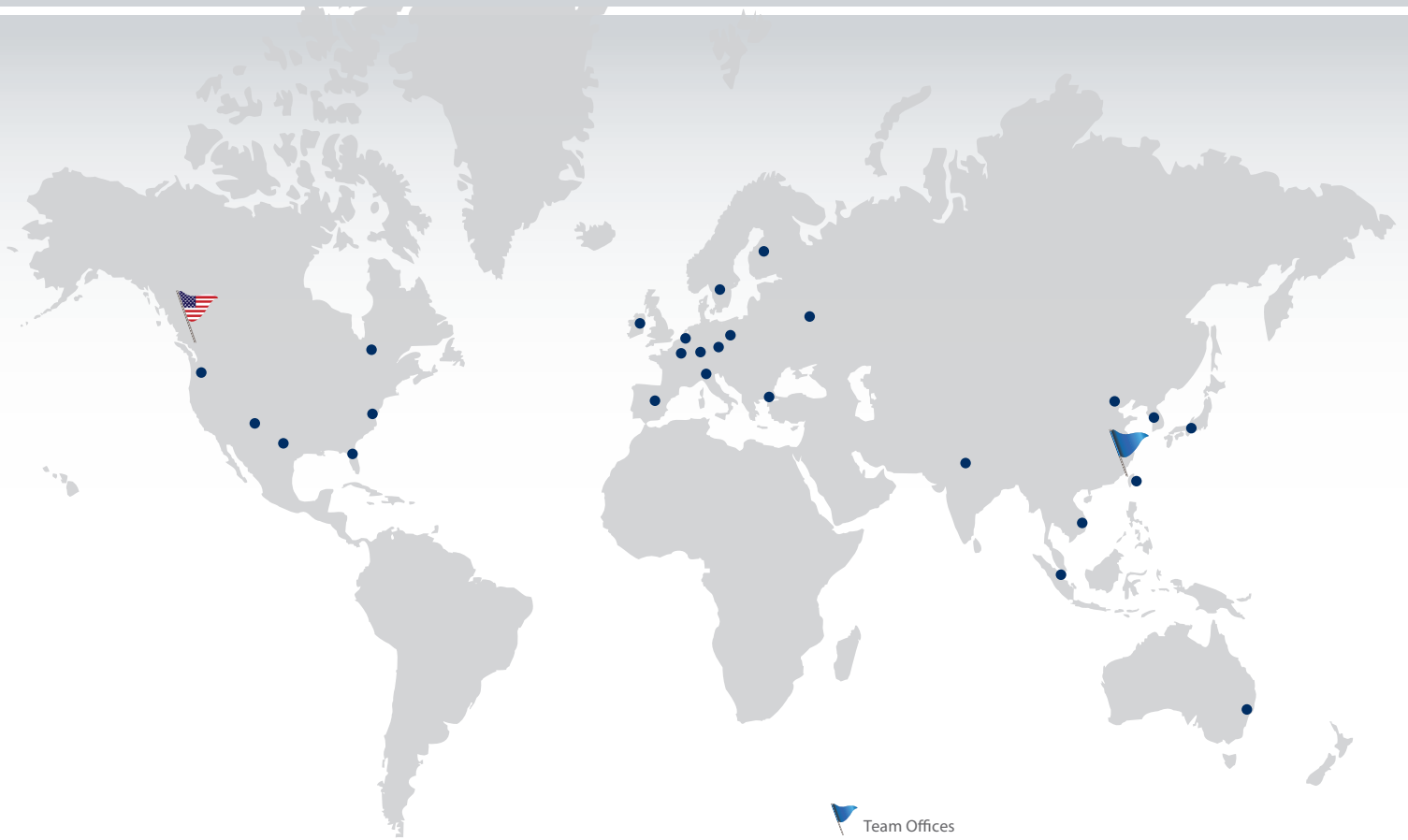
220/440 Volts AC, 3-Phase 60 Hz. 30 amp service is required per leg at 220 volts;

15 amp per leg at 440 volts.*

Shipping Weight (approx.) 550 lbs. (249 kg)

**Other voltages available*





 Team Offices

• Authorized Sales Agents

sales@teamcorporation.com

Corporate Headquarters
11591 Watertank Road,
Burlington, WA 98233, USA
+1.360.757.8601
teamcorporation.com

Asia Pacific
Rm 2005 Minhang Plaza
18 Xinqinqiao Road, Pudong
201206 Shanghai, China
+86.21.3382.0671
+1.831.655.6677

Engineered vibration testing solutions for improved product quality

