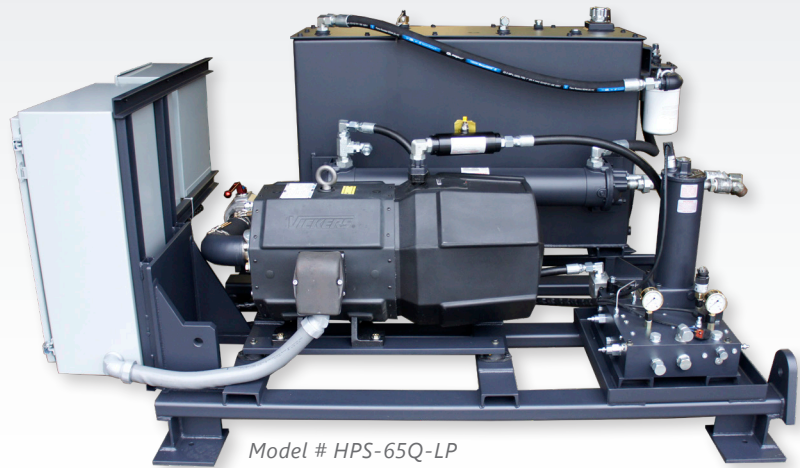


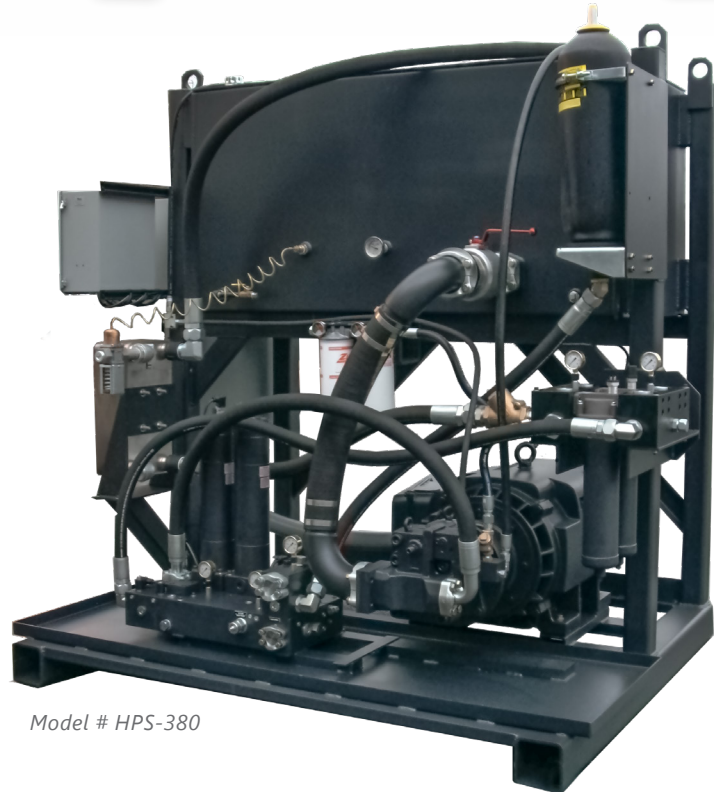
Team hydraulic power supplies are designed for use with Team components or for integration with components manufactured by others. Each Team hydraulic power supply is sized specifically to accommodate the pressure and flow requirements of Teams high performance servovalves. Each Team hydraulic power supply is equipped with an integrated heat exchange, high and low pressure interlocks for safe start up and operation, multi-level filtration required for servo-hydraulic systems, and health monitoring sensors to identify temperature, pressure and filter condition. Many Team hydraulic power supplies are available with an optional quiet motor and pump assembly. Contact a Team representative for details.

# Hydraulic Power Supplies

Team Corporation manufactures a variety of Hydraulic Power Supplies for use in vibration test systems and other high-precision servo systems. All Team hydraulic power supplies are offered with remote start/stop capability and safety interlocks to insure against damage caused by unforeseen electrical power interruption.



*Model # HPS-65Q-LP*



*Model # HPS-380*

# Specifications

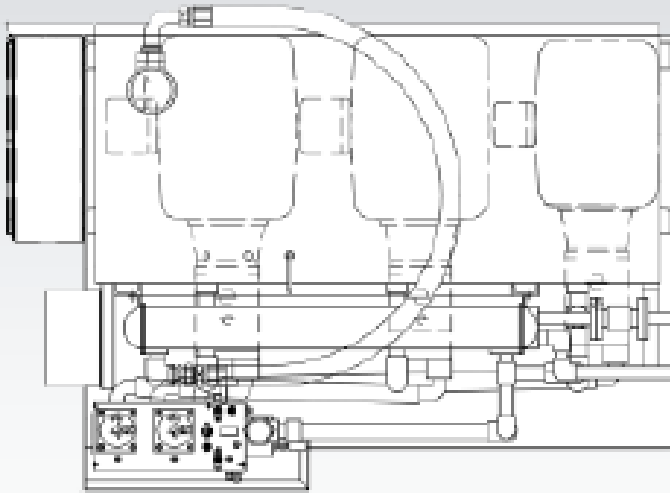
	Flow	Horsepower	Cooling Water	Reservoir	Electrical**	Length x Width x Height
HPS - 6A*	1.9 gpm	5 hp (4 kw)	Air Cooled	20 gal (76 L)	230 VAC/ 60 Hz/3ph	34 x 21 x 38 in. (0.86 x .53 x .97 m)
HPS - 25	7 gpm (26.5 lpm)	15 hp (11 kw)	4 gpm @ 80F (15.1 lpm @ 27C)	94 gal (362 L)	230 VAC/ 60 Hz/3ph	48 x 36 x 60 in. (1.21 x .914 x 1.52 m)
HPS - 65	15 gpm (56.8 lpm)	40 hp (30 kw)	8 gpm @ 80F (30.3 lpm @ 27C)	73 gal (281 L)	440 VAC/ 60 Hz/3ph	72 x 36 x 60 in. (1.83 x .914 x 1.52 m)
HPS - 110	30 gpm (114 lpm)	60 hp (45 kw)	16gpm @ 80F (60.6 lpm @ 27C)	73 gal (281 L)	440 VAC/ 60 Hz/3ph	72 x 36 x 60 in. (1.83 x .914 x 1.52 m)
HPS - 190	50 gpm (189 lpm)	100 hp (75 kw)	Call Team	225 gal (866 L)	480 VAC/ 60 Hz/ 3ph	84 x 42 x 60 in. (2.13 x 1.07 x 1.52 m)
HPS - 265	70 gpm (256 lpm)	125 hp (93 kw)	38 gpm @ 80F (144 lpm @ 27C)	200 gal (770 L)	440 VAC/ 60 Hz/3ph	110 x 72 x 80 in. (2.79 x 1.83 x 2.03 m)
HPS - 380	100 gpm (379 lpm)	200 hp (149 kw)	55 gpm @ 80F (208 lpm @ 27C)	480 gal (1848 L)	440 VAC/ 60 Hz/3ph	110 x 72 x 80 in. (2.79 x 1.83 x 2.03 m)
HPS - 460	120 gpm (454 lpm)	240 hp (179 kw)	Call Team	Call Team	Call Team	110 x 72 x 80 in. (2.79 x 1.83 x 2.03 m)
HPS - 535	140 gpm (530 lpm)	280 hp (209 kw)	Call Team	Call Team	Call Team	110 x 72 x 80 in. (2.79 x 1.83 x 2.03 m)
HPS - 650	170 gpm (643 lpm)	340 hp (261 kw)	Call Team	Call Team	Call Team	110 x 72 x 80 in. (2.79 x 1.83 x 2.03 m)
HPS - 800	210 gpm (795 lpm)	420 hp (313 kw)	Call Team	Call Team	Call Team	110 x 72 x 80 in. (2.79 x 1.83 x 2.03 m)

\*HPS - 6A for use with individual bearings, couplings, and slip tables

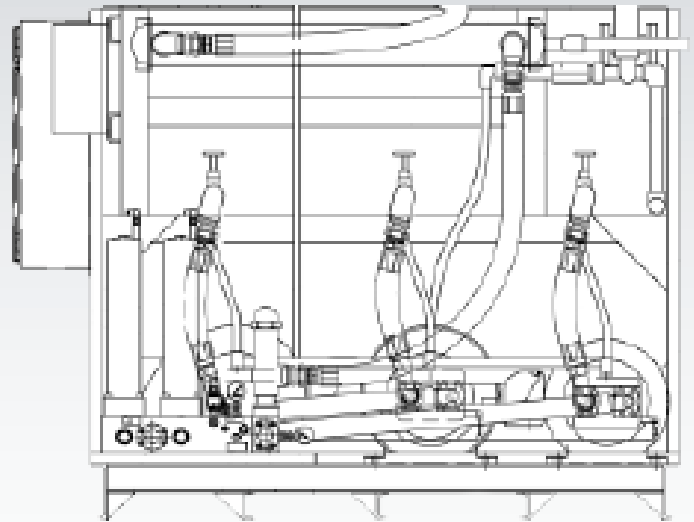
\*\*Available in 220v/380v, 50Hz



## Example of a typical Team HPS 380



Plan View HPS 380



Elevation View HPS 380

### Features

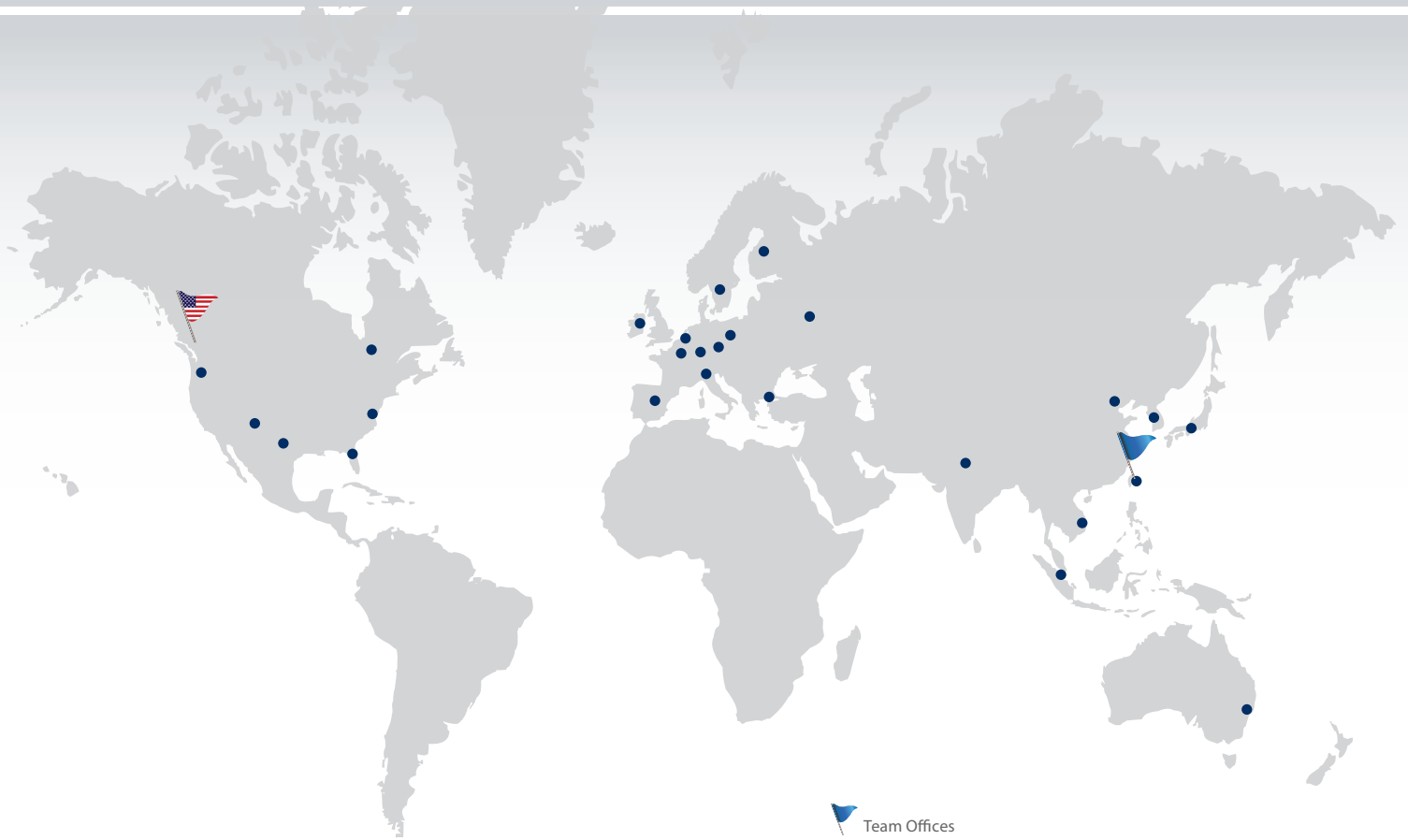
- Built-in heat exchangers with water saving valves\*
- High and low flow modes for safe start-up
- Filtration to keep the oil in the ISO 15/13/10 condition required for servo systems
- Health monitoring sensors including oil temperature, oil level, pressure and filter condition.
- Available in 3000-5000 psi (205-345 bar)

### Applications

- Hydraulic power supplies for vibration test systems and other precision servo systems
- Hydraball, spherical couplings, individual T8/V8 Bearings and torsional bearing tables

*\*Except HPS-6A (205-344 Bar)*





 Team Offices

• Authorized Sales Agents

[sales@teamcorporation.com](mailto:sales@teamcorporation.com)

**Corporate Headquarters**  
11591 Watertank Road,  
Burlington, WA 98233, USA  
+1.360.757.8601  
[teamcorporation.com](http://teamcorporation.com)

**Asia Pacific**  
Rm 2005 Minhang Plaza  
18 Xinqinqiao Road, Pudong  
201206 Shanghai, China  
+86.21.3382.0671  
+1.831.655.6677

Engineered vibration testing solutions for improved product quality

